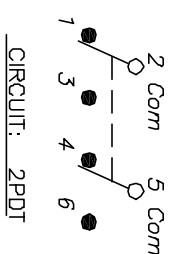


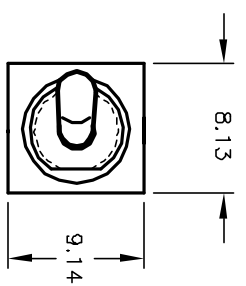
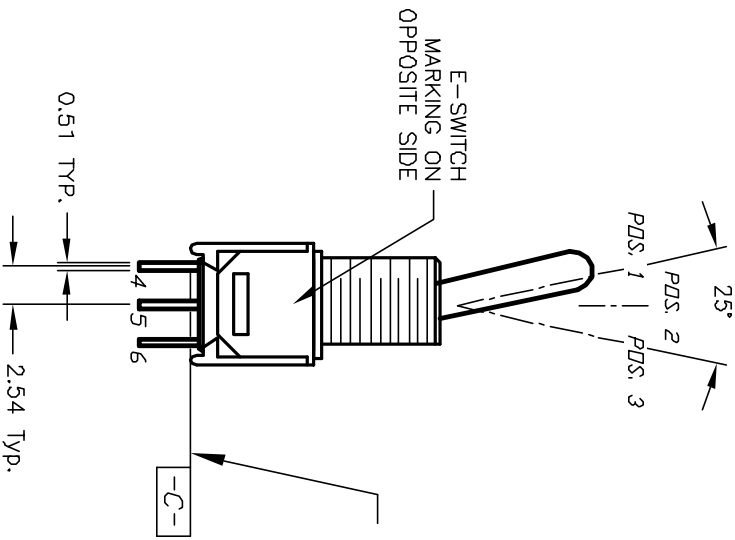
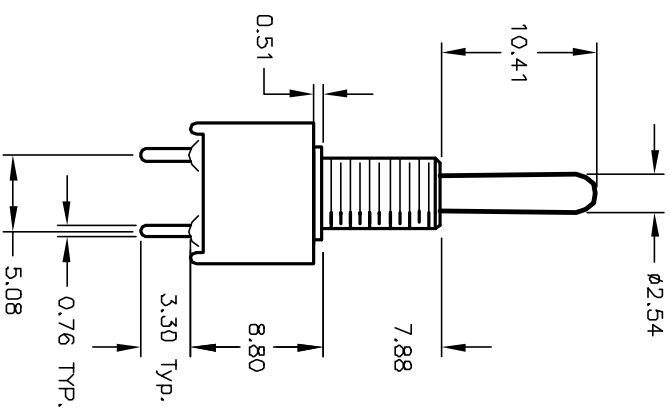
RECOMMENDED P.C.B. LAYOUT



SWITCH FUNCTION		
PDS. 1	PDS. 2	PDS. 3
DN	OFF	DN
2-3,5-6	OPEN	2-1,5-4

NOTES:

1. ALL DIMENSIONS IN MM
2. GENERAL TOLERANCE: X.X=±0.4
X.XX=±0.25
3. TERM. NOS. FOR REF. ONLY
4. RATING: 3A @120VAC OR 28VDC
1A @250VAC
5. FIXED TERMINAL/MOVING CONTACT:
COPPER ALLOY W/SILVER PLATE.
6. ELECTRIC LIFE: 30,000 make-and-break cycles
at full load.
7. INSULATION RESISTANCE: 1,000 M ohm min.
8. DIELECTRIC STRENGTH: 1,000 V RMS @sea level.
9. OPERATING TEMP. -30°C to +85°C
10. ▲ DESIGNATE MAJOR FEATURE



REV.	ECN NO.	DESCRIPTION	DATE	CHKD
A	11966	RELEASED FOR PRODUCTION	2/11/02	CJB

TITLE	SCALE	DATE	DR	DWG	REV
200 MDP-3 T4 B5 M2 QE	2:1	2/11/02	CJB	T2222008	A



THE INFORMATION CONTAINED IN THIS DOCUMENT IS PROPRIETARY TO E-SWITCH AND IS NOT TO BE COPIED OR TRANSMITTED