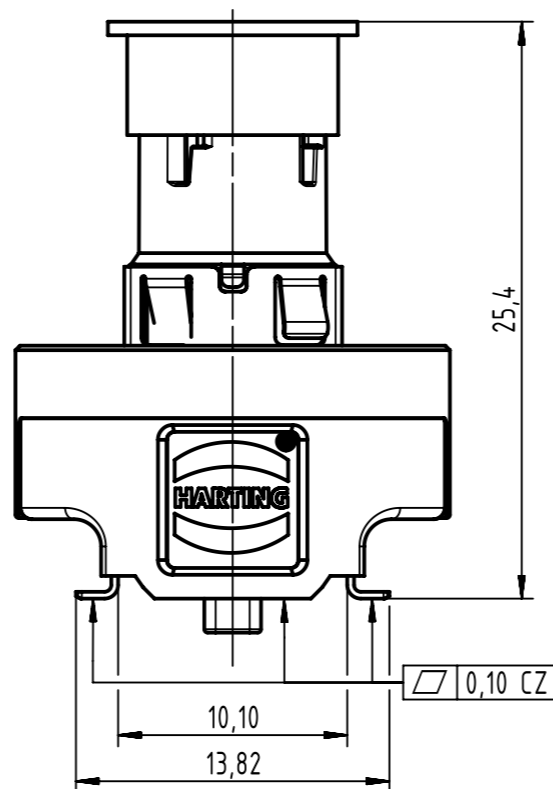
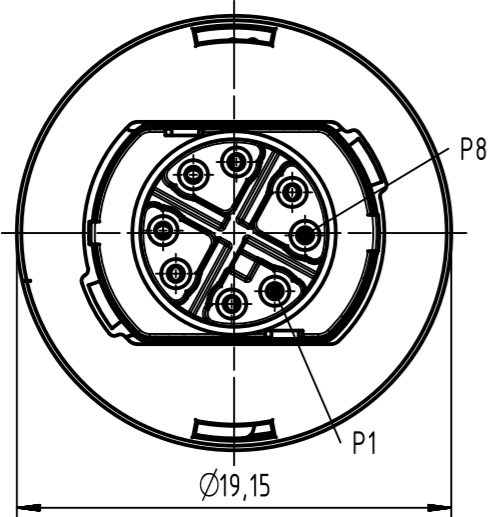
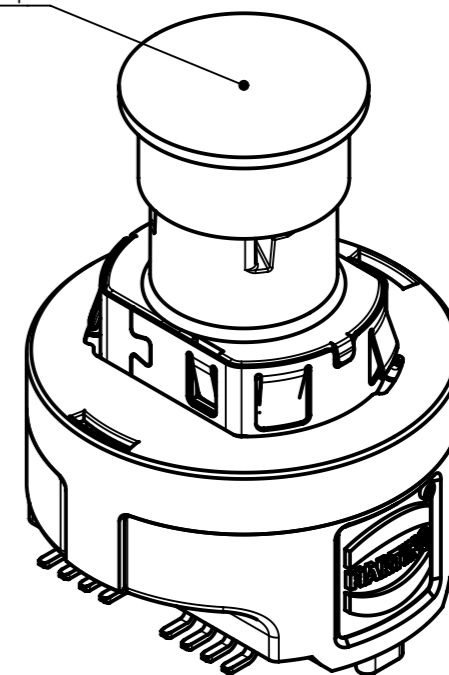


mating face based on
IEC 61076-2-109



Pick & place cap



Further information see data sheet: 21033810102

	All rights reserved Department EC PD - CN HARTING Electronics GmbH D-32339 Espelkamp	All Dimensions in mm Original Size DIN A3	Scale 2:1	Free size tol. ISO 2768-mK	Ref. Sub.
		Created by CHENSK	Inspected by CHENSK	Standardisation HOFFMANN	Date 2017-05-24
		Title M12 transformer recept X-coded 1G straight PoE+			Doc-Key / ECM-Nr. 100693027/UGD/002/B 500000117439
		Type TB	Number 21033812817		Rev. B
					Page 1/1